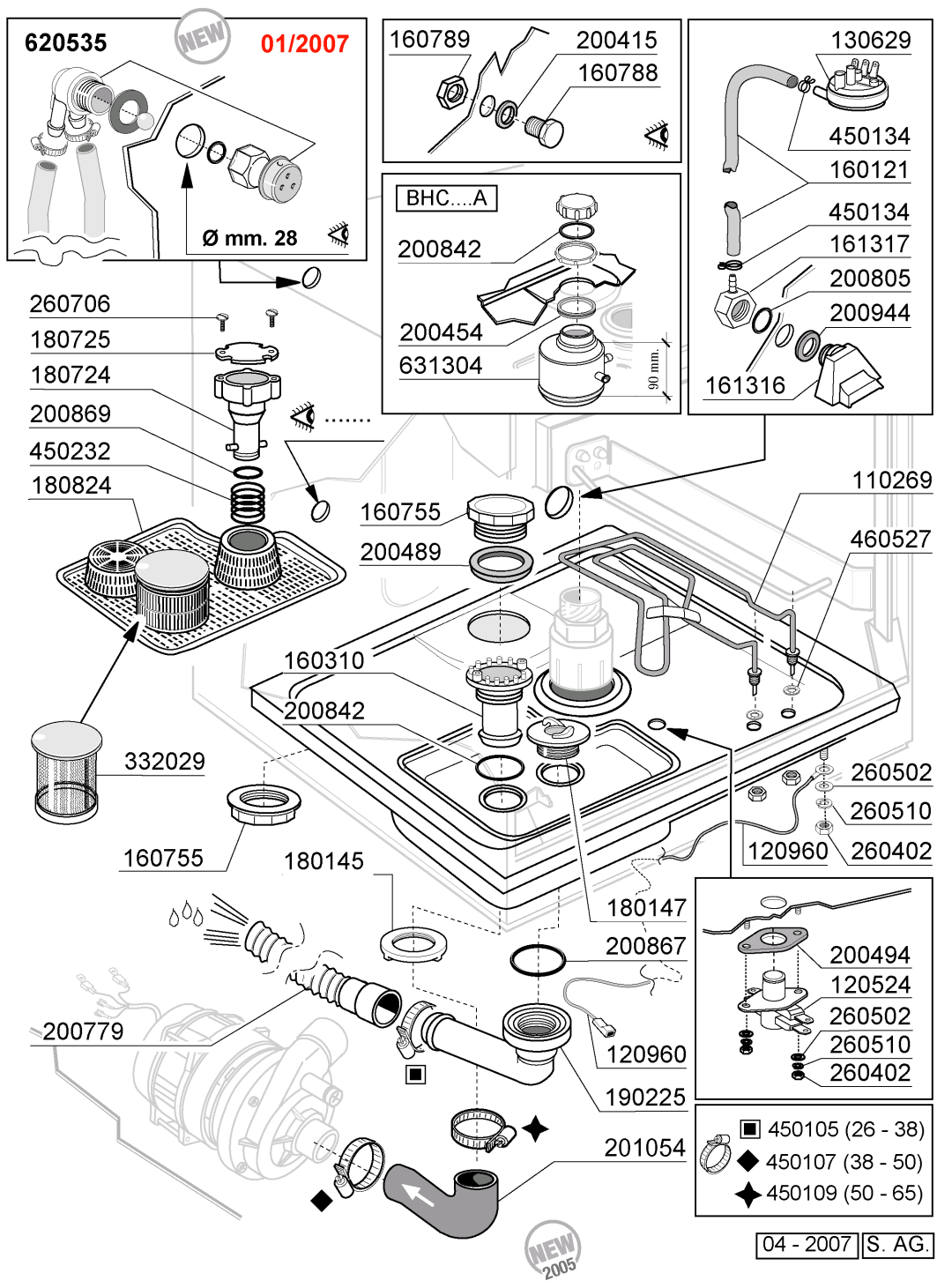


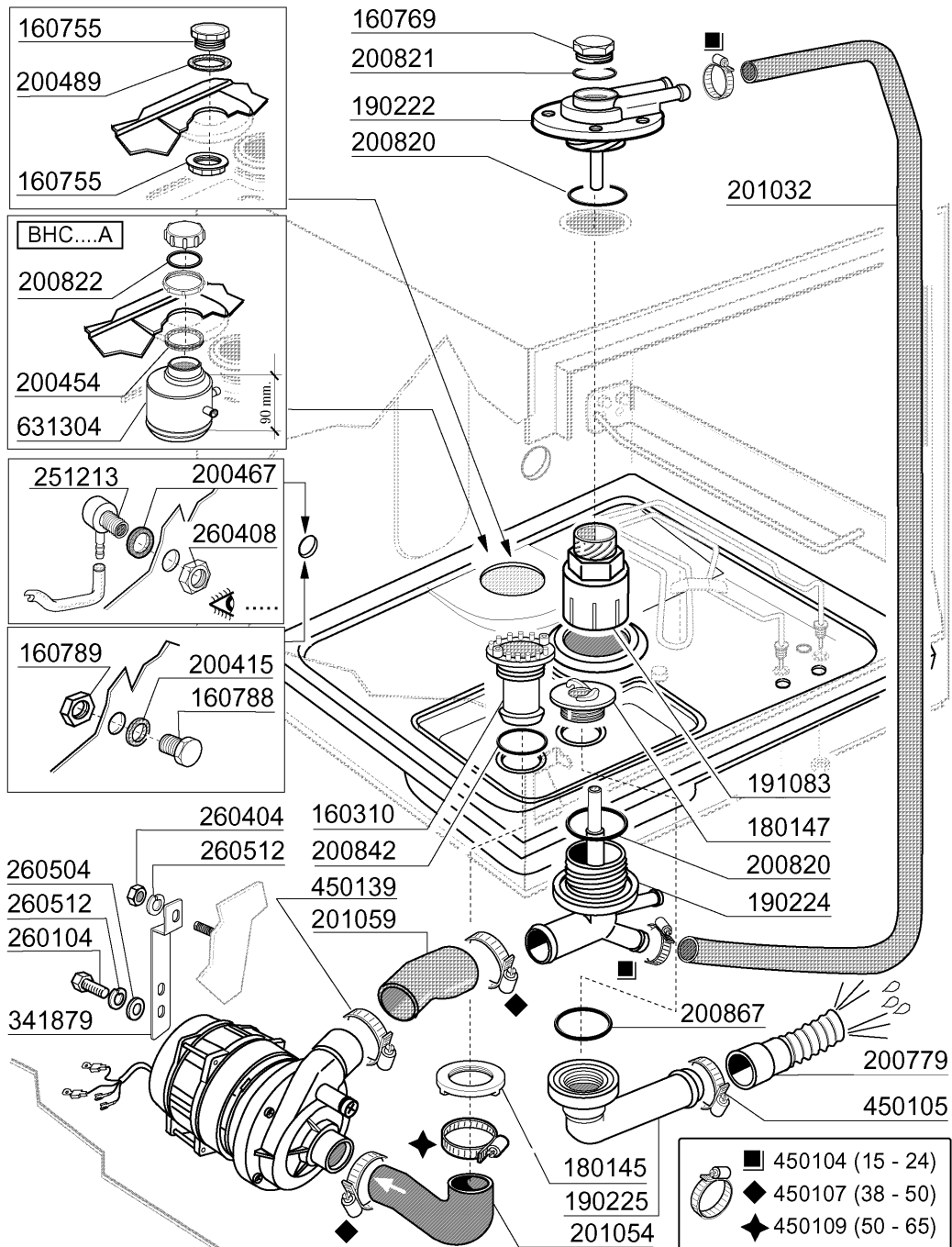
1 - Hood / Tank

CODE	DESCRIPTION
150838	CABLE HOLDER FOR BHC
160542	SCREW SUPPORT
160720	PLUG HEYCO D.8
160788	PLUG
160789	NUT
160838	SLIDING WASHER TIE ROD FC
160905	SLIDING PLATE F. TIE ROD
180506	DOOR CATCH BR-BC-FC
190619	DOOR CATCH B-F-R
190657	RACK STOP BHC
200402	SELF-ADHES.RUBB.SPONGE STRIPS
200415	AIR TRAP GASKET -F2 18,5X10X3
200943	GASKET
200945	DOOR GASKET BHC
210207	FOOT BHC
260104	STAINL.ST TE-SCREW A2 6X16 UNI
260126	SCREW TE 5X12
260138	SCREW TE 4X10
260238	M4 X 10 MUSH/HD SCREW
260326	SCREW TS 5X10
260402	STAINLESS STEEL NUT D4 UNI 55
260403	NUTS D.5
260404	STAINLESS STEEL NUTS D6 UNI 55
260414	SELF-LOCKING NUT M5
260418	SELF-LOCKING NUT M4
260503	STAINL.STEEL FLAT WASHER D5 UN
260510	GROWER WASHER D.4
260511	GROWER WASHER D.5
260512	ST/ST GROWER WASHER D6
260712	SCREW 2,9X9,5
260713	SCREW 3,9X16
260714	SCREW 4,2X19
261013	SCREW
261015	SCREW 3,9X13
322335	COVER BHC
322644	RACK GUIDE BHC
323007	DOOR BHC30
330235	ROD FOR BHC DOOR
342087	PIN
342531	HOOD
342701	PIN FOR TIE ROD
351408	LATERAL PANEL
351409	LATERAL PANEL
351912	BACK PANEL BHC30
351987	FRONT PANEL
351988	FRONT PANEL
390175	PANEL
411010	DOOR MAGNET
450234	SPRING
450821	SPRING CLIP FASTENER SNU 3634
450829	DOOR BRACKET BHC
450831	SCREW SUPPORT
460427	GASKET
463243	LABEL BHC30E 2004
463244	LABEL BHC30EA 2004



2 - Tank

CODE	DESCRIPTION
110269	TANK HEATER 2000W
120524	TANKTHERMOSTAT GLASSWASHER
120960	PROBE C-G
130629	PRESSURE SWITCH 1L30-12
160121	HOSE EPDM D. 5 X 9
160310	INLET HOSE BHC
160755	PLUG FOR MACHINES WITHOUT SOFT
160788	PLUG
160789	NUT
161316	AIR TRAP
161317	NUT FOR AIR TRAP
180145	NUT
180147	NUT
180724	OVERFLOW PIPE BHC
180725	OVERFLOW PIPE COVER
180824	TANK STRAINER BHC
190225	DRAIN OUTLET
200415	AIR TRAP GASKET -F2 18,5X10X3
200454	GASKET F. SALT CONT.
200489	GASKET 81X68X3
200494	GASKET FOR TANKTHERMOSTAT BT
200779	DRAIN HOSE FOR BR-BC-FC43
200805	OR GASKET 2,62X28,24X33,48
200842	SEAL RING OR158 PB701 NITRILE
200867	GASKET
200869	GASKET
200944	GASKET
201054	TANK INLET HOSE
260402	STAINLESS STEEL NUT D4 UNI 55
260502	S/S FLAT WASHER D.4
260510	GROWER WASHER D.4
260706	SCREW 3,9X13 S/S
332029	PUMP FILTER BHC
450105	CLAMP FE ZN. 26-38 H=12,2
450107	CLAMP FE ZN 38-50 H=12,2
450109	CLAMP 50-65
450134	ELASTIC HOSE CLIP D.9,3/8,8
450232	SPRING
460527	GASKET
620535	VACUUM BREAKER
631304	SALT CONTAINER



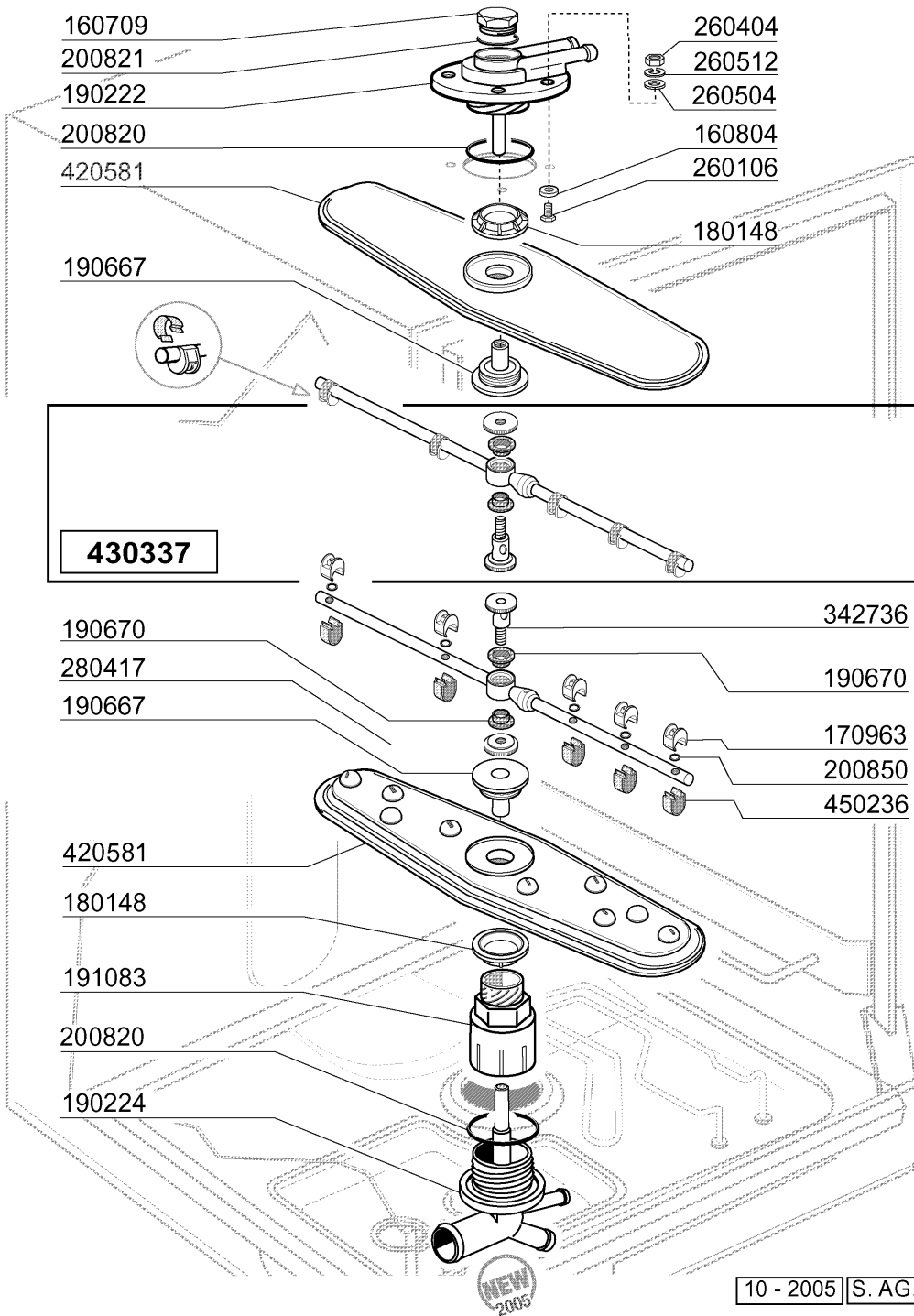
02 - 2006 | S. AG. 01



3 - Wash Column

CODE	DESCRIPTION
160310	INLET HOSE BHC
160755	PLUG FOR MACHINES WITHOUT SOFT
160769	PLUG F. UPPER WASH ARM SUPPORT
160788	PLUG
160789	NUT
180145	NUT
180147	NUT
190222	UPPER ARM SUPPORT
190224	LOWER TEE WASH-RINSE
190225	DRAIN OUTLET
191083	LOWER WASH ARM SUPPORT
200415	AIR TRAP GASKET -F2 18,5X10X3
200454	GASKET F. SALT CONT.
200467	DUTRAL GASKET F. AIR TRAP
200489	GASKET 81X68X3
200779	DRAIN HOSE FOR BR-BC-FC43
200820	O-RING151 46,99X5,33X57,6
200821	O-RING 2,62X20,63
200822	PLUG GASKET OF SALT CONTAINER
200842	SEAL RING OR158 PB701 NITRILE
200867	GASKET
201032	OUTLET HOSE
201054	TANK INLET HOSE
201059	OUTLET HOSE
251213	INJECTIOR S/S FOR DETERGENT IN
260104	STAINL.ST TE-SCREW A2 6X16 UNI
260404	STAINLESS STEEL NUTS D6 UNI 55
260408	S/S NUTS D.12
260504	ST/ST FLAT WASHER D6
260512	ST/ST GROWER WASHER D6
341879	BRACKET FOR PUMP
450104	CLAMP FE ZN H=12,5 15-24
450105	CLAMP FE ZN. 26-38 H=12,2
450107	CLAMP FE ZN 38-50 H=12,2
450109	CLAMP 50-65
450139	CLAMP 26-38 H=9
631304	SALT CONTAINER

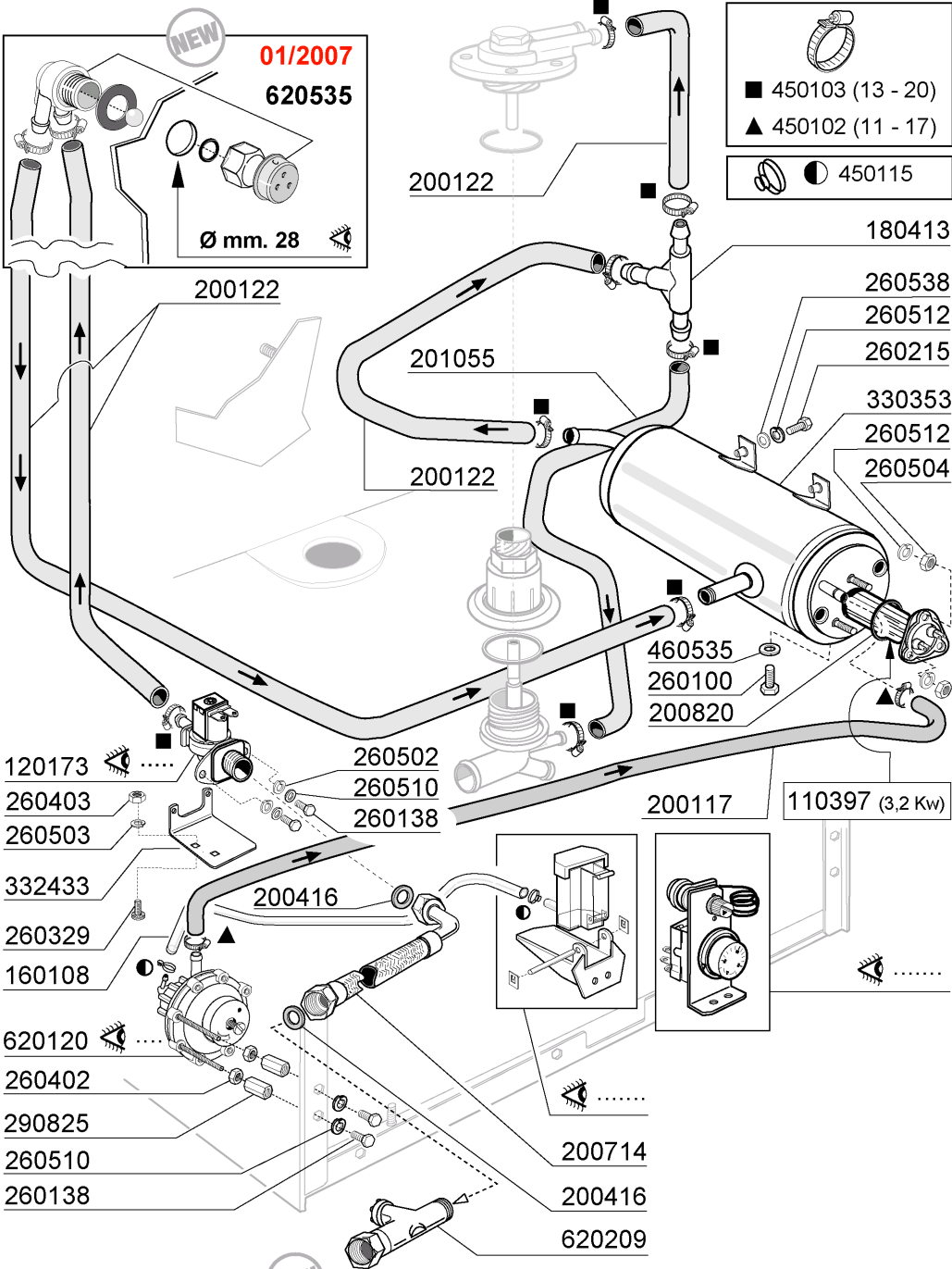
4 - Wash and rinse arm



4 - Wash and rinse arm

CODE	DESCRIPTION
160709	KNOB OF MANIFOLD F. SOLEN. VAL
160804	GASKET D.6
170963	RINSE JET X FC
180148	NUT
190222	UPPER ARM SUPPORT
190224	LOWER TEE WASH-RINSE
190667	BUSH
190670	BUSH
191083	LOWER WASH ARM SUPPORT
200820	O-RING151 46,99X5,33X57,6
200821	O-RING 2,62X20,63
200850	O-RING
260106	SCREW TE 6X25
260404	STAINLESS STEEL NUTS D6 UNI 55
260504	ST/ST FLAT WASHER D6
260512	ST/ST GROWER WASHER D6
280417	RETAIN.LOCK NUT
342736	PIN
420581	ARM
430337	RINSE ARM BHC/1
450236	SPRING FOR WASHER 170963

5 - Rinse Assembly

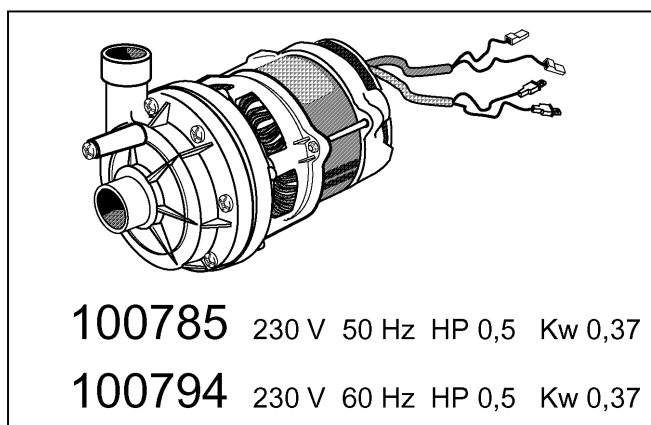
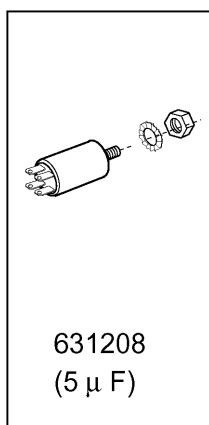
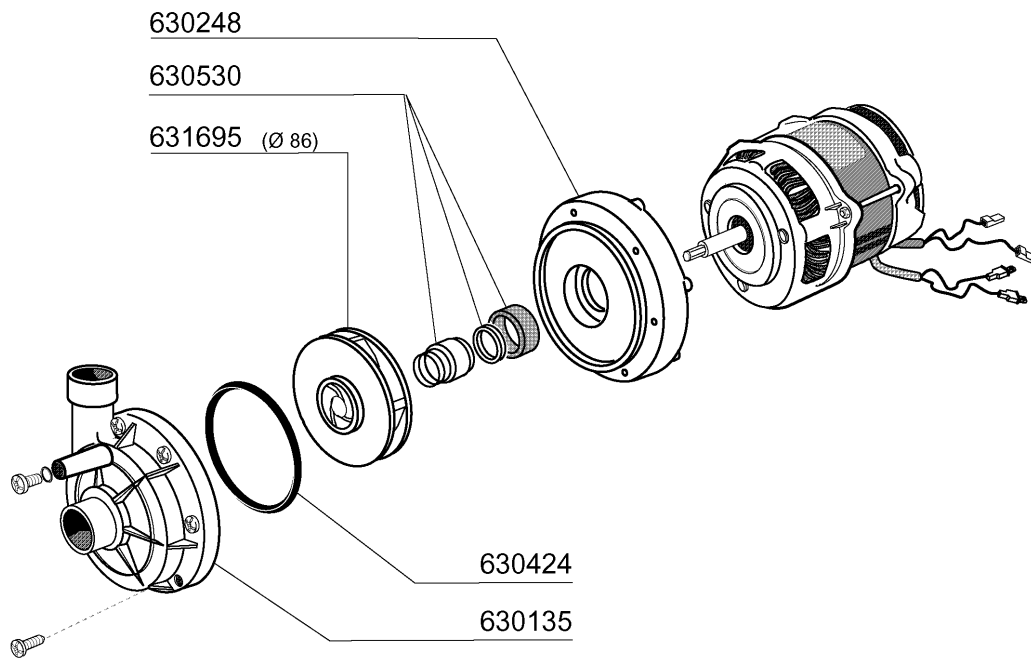


04 - 2007 | S. AG.

NEW
 2005

5 - Rinse Assembly

CODE	DESCRIPTION
110397	HEATER 3200W 230V/1
120173	SOLENOID VALVE 1 WAY 180Ø
160108	INJECT.INLET HOSE D.8X5
180413	TEE NIPPLE D.11,5 - RINSE ASSE
200117	RUBBER HOSE 7X16
200122	HOSE 11X19
200416	GASKET D. 3/4"
200714	GLASSWASHER INLET HOSE
200820	O-RING151 46,99X5,33X57,6
201055	HOSE
260100	SCREW TE 6X8 INOX
260138	SCREW TE 4X10
260215	SCREW TCP 6X16
260329	VITE M5X12 SPEC.ZIGR.SOTTOTEST
260402	STAINLESS STEEL NUT D4 UNI 55
260403	NUTS D.5
260502	S/S FLAT WASHER D.4
260503	STAINL.STEEL FLAT WASHER D5 UN
260504	ST/ST FLAT WASHER D6
260510	GROWER WASHER D.4
260512	ST/ST GROWER WASHER D6
260538	WASHER 18X6X1,5 ST/ST
290825	SPACER
330353	BOILER BHC
332433	BRACKET
450102	CLAMP FE ZN 11-17 H=9
450103	CLAMP FE ZN. 13-20 H=9
450115	ELASTIC CLAMP D.8,3/7,8
460535	GASKET FOR BOILER PLUG BHC
620120	RINSE AID INJECTOR
620209	INLET WATER FILTER
620535	VACUUM BREAKER

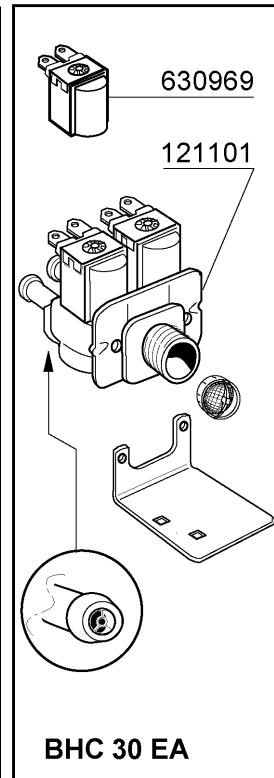
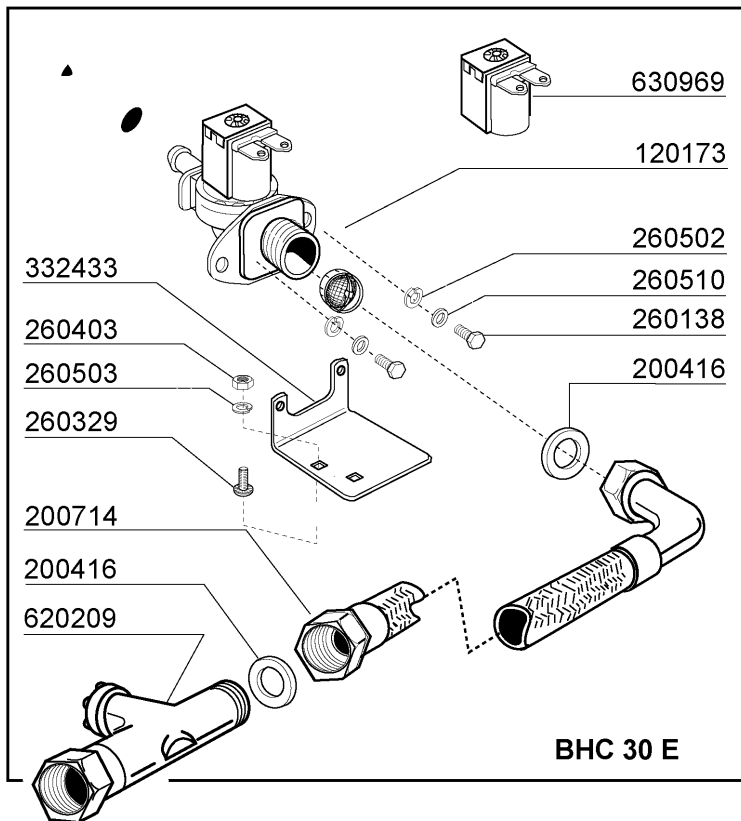
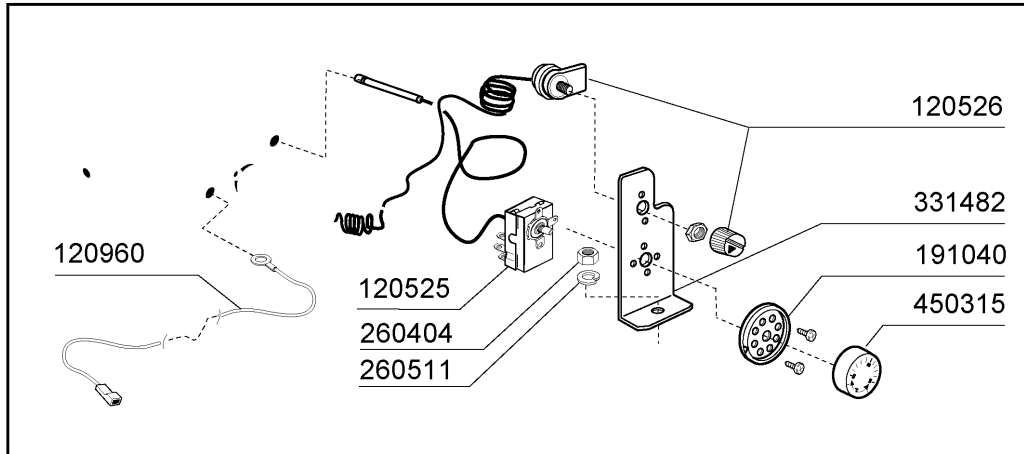


10 - 2005 | S. AG.

6 - Wash pump

CODE	DESCRIPTION
100785	PUMP LGB ZF140 0.5HP
100794	PUMP LGB ZF140 0.5HP 60HZ
630135	PUMP VOLUTE LGB 0,30HP ZF140
630248	PUMP COVER LGB 0,30HP ZF140
630424	PUMP GASKET LGB 0,3HP ZF140
630530	SEAL FOR PUMP LGB 0,3HP ZF140
631208	CONDENSER 5MF.450V
631695	PUMP IMPELLER 0,3HP LGB

7 - Thermostat/Solenoid Valve Group

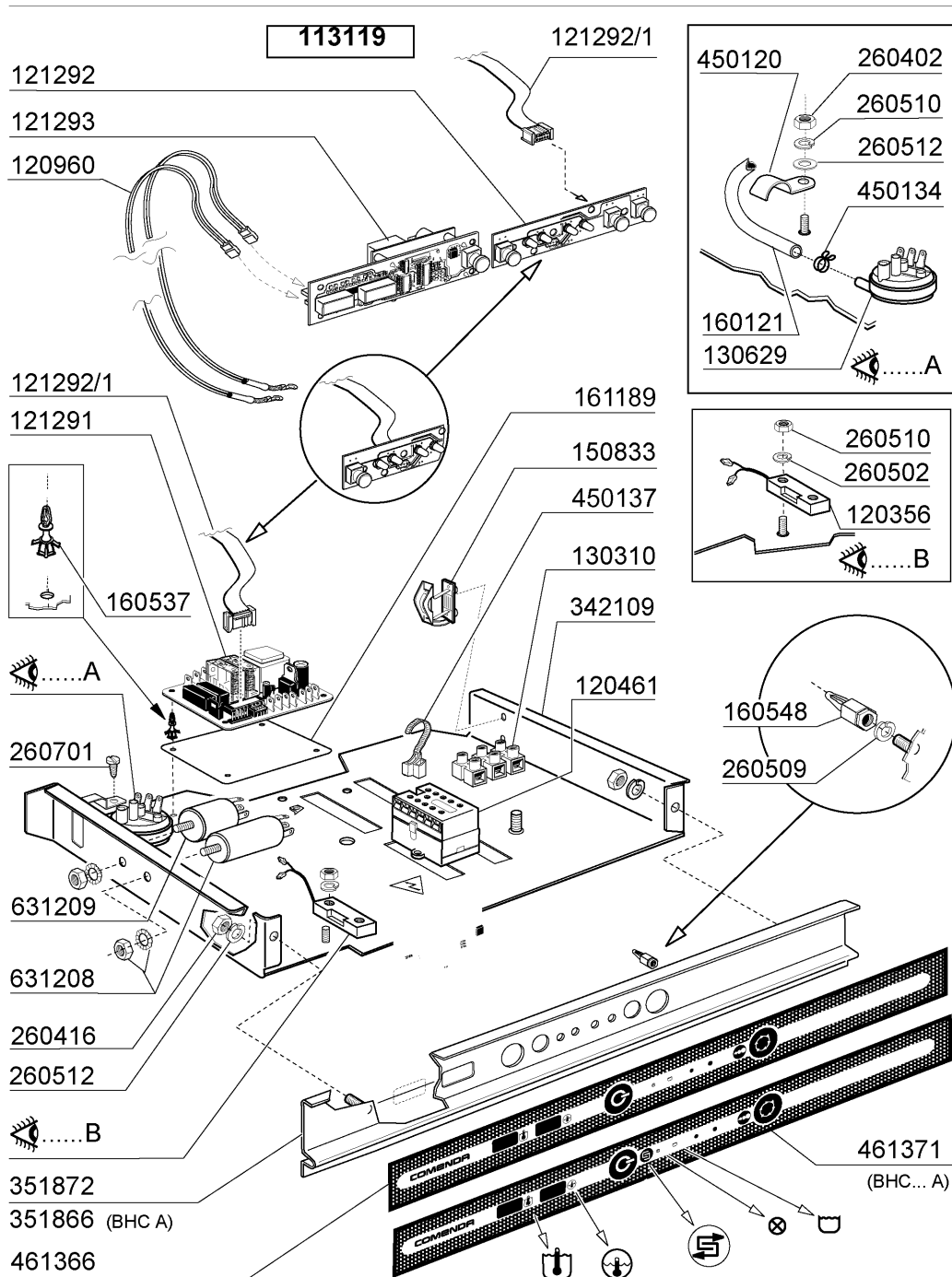


2005

07 - 2006 | S. AG.

7 - Thermostat/Solenoid Valve Group

CODE	DESCRIPTION
120173	SOLENOID VALVE 1 WAY 180Ø
120525	BOOSTER THERMOSTAT 2 TEMPERAT.
120526	SAFETY THERMOSTAT 2POLES
120960	PROBE C-G
121101	SOLENOID VALVE 2 WAYS - 180Ø L
191040	FRAME F.THERMOSTAT KNOB
200416	GASKET D. 3/4"
200714	GLASSWASHER INLET HOSE
260138	SCREW TE 4X10
260329	VITE M5X12 SPEC.ZIGR.SOTTOTEST
260403	NUTS D.5
260404	STAINLESS STEEL NUTS D6 UNI 55
260502	S/S FLAT WASHER D.4
260503	STAINL.STEEL FLAT WASHER D5 UN
260510	GROWER WASHER D.4
260511	GROWER WASHER D.5
331482	BRACKET FOR 2 THERMOST. B-F20
332433	BRACKET
450315	KNOB F. THERMOSTAT 90Ø
620209	INLET WATER FILTER
630969	COIL S4216 220/50HZ

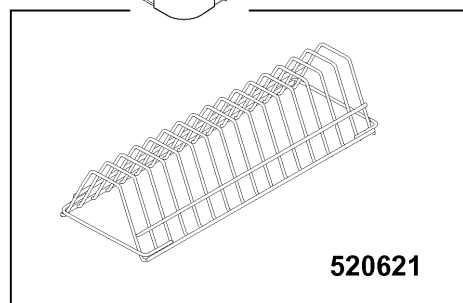
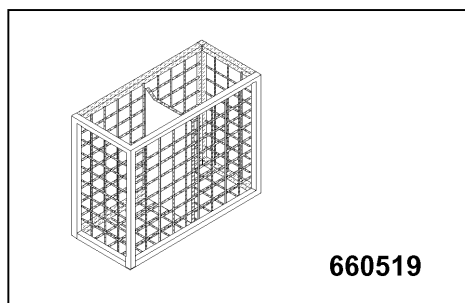
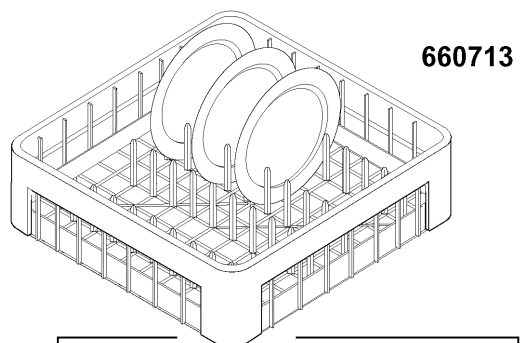
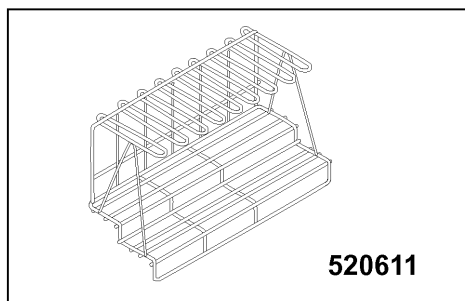
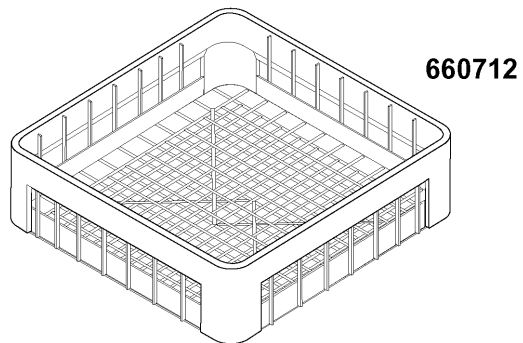
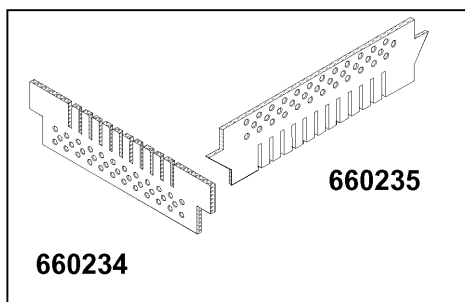
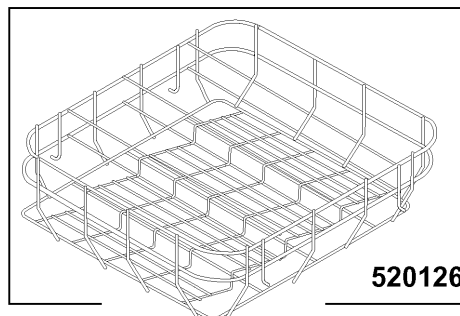
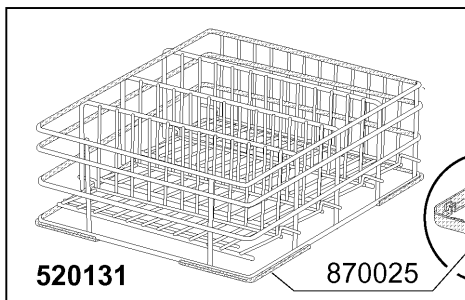


07-2006 | S. AG.

2005

8 - Control Box

CODE	DESCRIPTION
113119	CABLE BHC30E
120356	DOOR MAGN.SWITCH
120461	CONTACTOR ABB B6-30-01 220V
120960	PROBE C-G
121291	ELECTRONIC TIMER
121292	CONTROL PANEL
121292/1	FLAT CABLE FOR PCD 121292
121293	TEMPERATURE CONTROL PANEL
130310	TERMINAL BLOCK 3 POSITIONS
130629	PRESSURE SWITCH 1L30-12
150833	CABLE HOLDER BC/BR
160121	HOSE EPDM D. 5 X 9
160537	ELECTRONIC CARD SPACER
160548	DISTANZ.TASTIERINI ELETTRONICI
161189	COVER
260402	STAINLESS STEEL NUT D4 UNI 55
260416	STAINLESS STEEL NUTS M6
260502	S/S FLAT WASHER D.4
260509	GROWER WASHER D.3
260510	GROWER WASHER D.4
260512	ST/ST GROWER WASHER D6
260701	SCREW 3,5X9,5
342109	SUPPORT
351866	PANEL SUPPORT
351872	SUPPORT
450120	ZINC CLAMP FOR HOSE D.7
450134	ELASTIC HOSE CLIP D.9,3/8,8
450137	COLLAR CONNECTION WITH BASE 31
461366	PLATE BHC30E
461371	PLATE BHC30EA
631208	CONDENSER 5MF.450V
631209	ANTI-NOISE FILTER



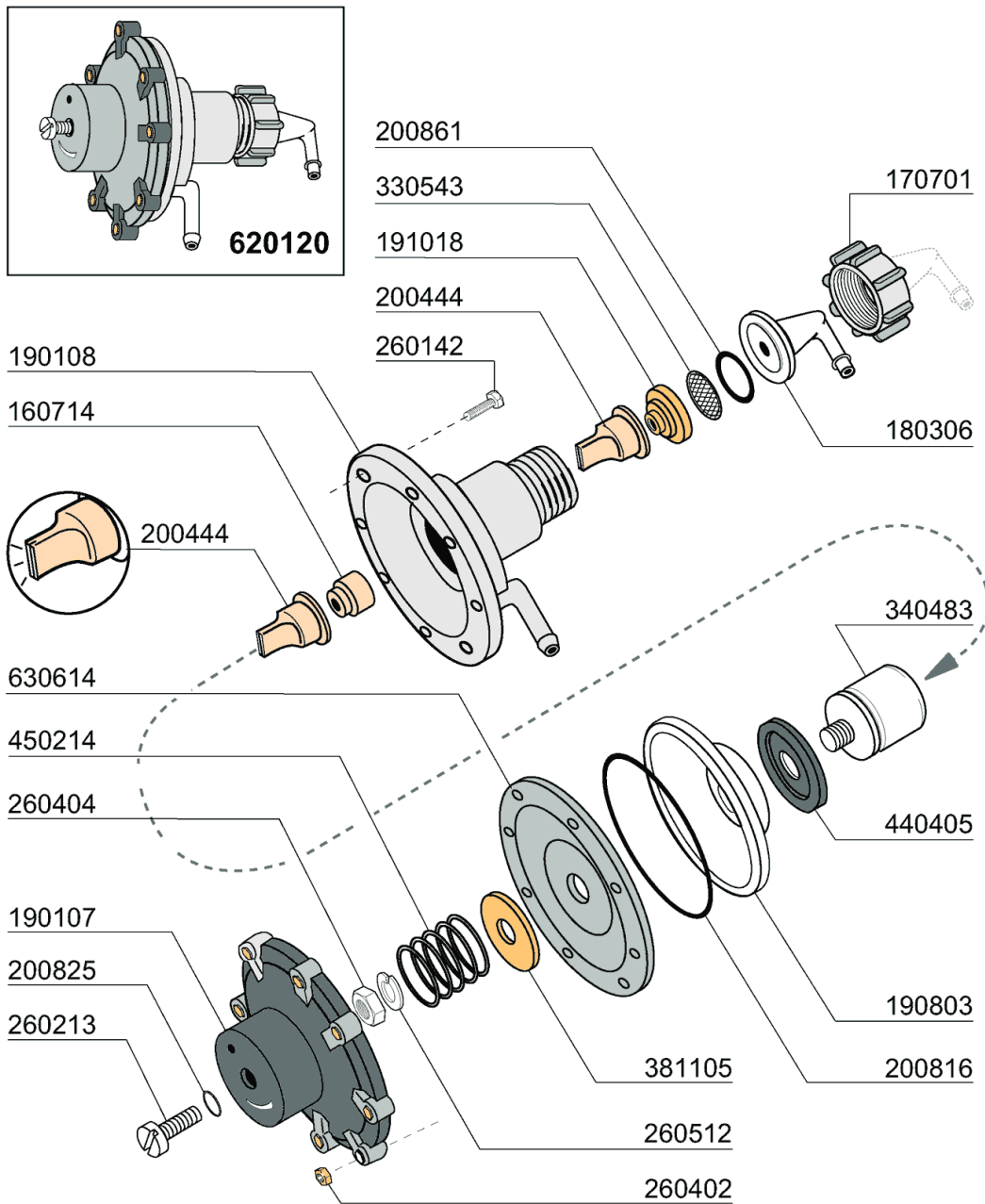
10 - 2005 | S. AG.



9 - Rack

CODE	DESCRIPTION
520126	GLASS INSERT (400X400)
520131	GLASS RACK 40X40 H270
520611	INSERT FOR CHAMPAGNE GLASSES
520621	SAUCERS INSERT
660234	UPPER INSERT FOR 16-25-36 GLAS
660235	LOWER INSERT FOR 16-25-36 GLAS
660519	2-PLACES CUTLERY HOLDER
660712	BASE RACK 400X400
660713	PLATE RACK 400X400
870025	IDLE SHAFTS N

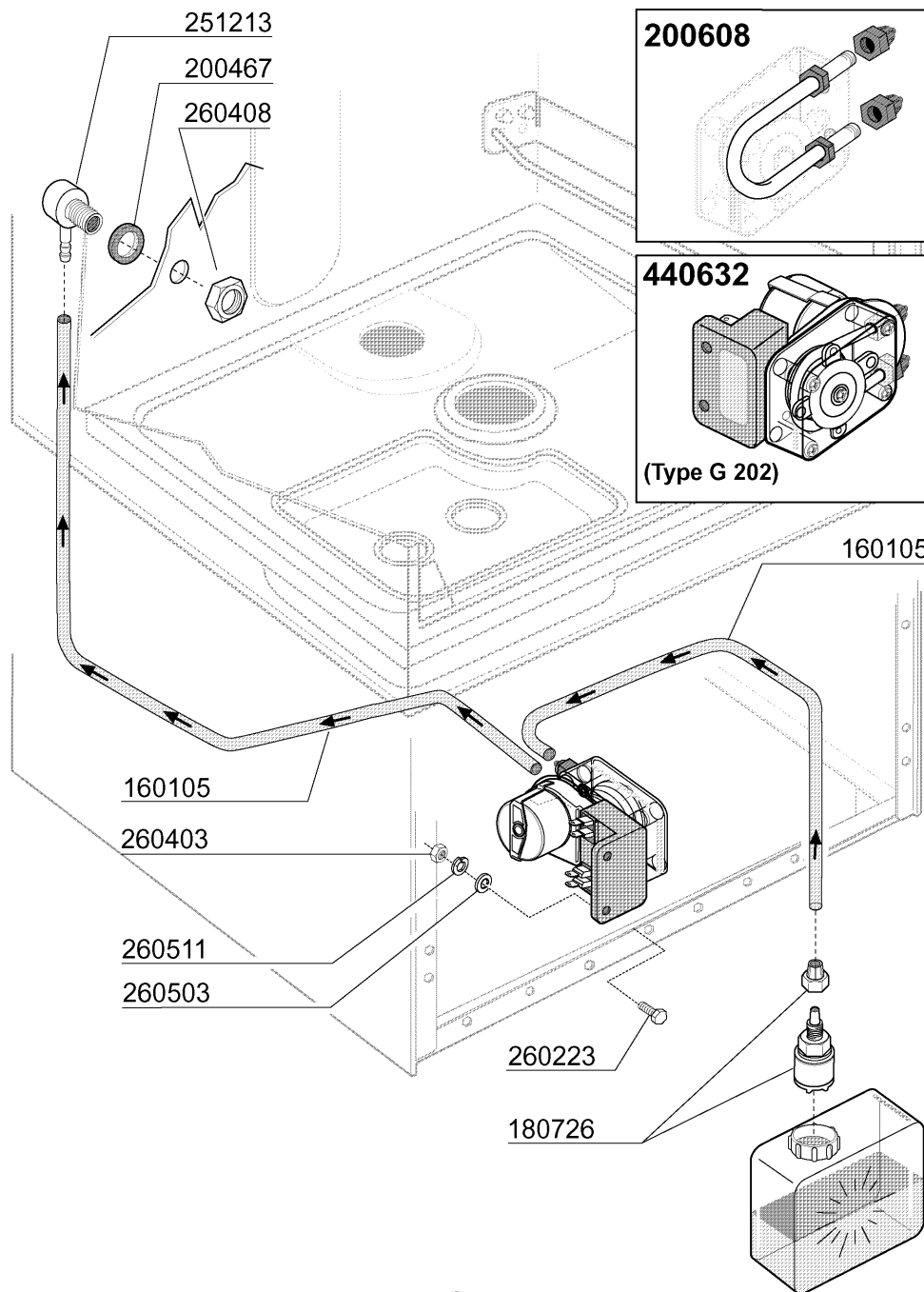
10 - Rinse aid injector



09 - 2007 | S. AG.

10 - Rinse aid injector

CODE	DESCRIPTION
160714	PLUG FOR RINSE AID INJECTOR MO
170701	LOCK NUT 1/2" F.INJECTOR
180306	NIPPLE F.RINSE AID INJECTOR
190107	COVER FOR RINSE AID DISPENSER
190108	VOLUTE FOR RINSE AID DISPENSER
190803	GASKET SUPPORT RING F.INJECT
191018	FILTER SUPPORT RINSE AID INJEC
200444	SUCTION VALVE RINSE INJECTOR
200816	O-RING 2,5X59,2X64,2 RINSE INJ
200825	O-RING 3X5X11 RINSE INJECTOR
200861	O-RING 14X18X2
260142	SCREW TE 4X16
260213	SCREW TCP 5X25
260402	STAINLESS STEEL NUT D4 UNI 55
260404	STAINLESS STEEL NUTS D6 UNI 55
260512	ST/ST GROWER WASHER D6
330543	FILTER RINSE AID INJECTOR D.17
340483	PISTON FOR RINSE AID DISPENSER
381105	DIAPHRAGME DISC
440405	GASKET FOR RINSE AID INJ.
450214	SPRING RINSE AID INJECTOR
620120	RINSE AID INJECTOR
630614	DIAPHRAGM RINSE INJECTOR

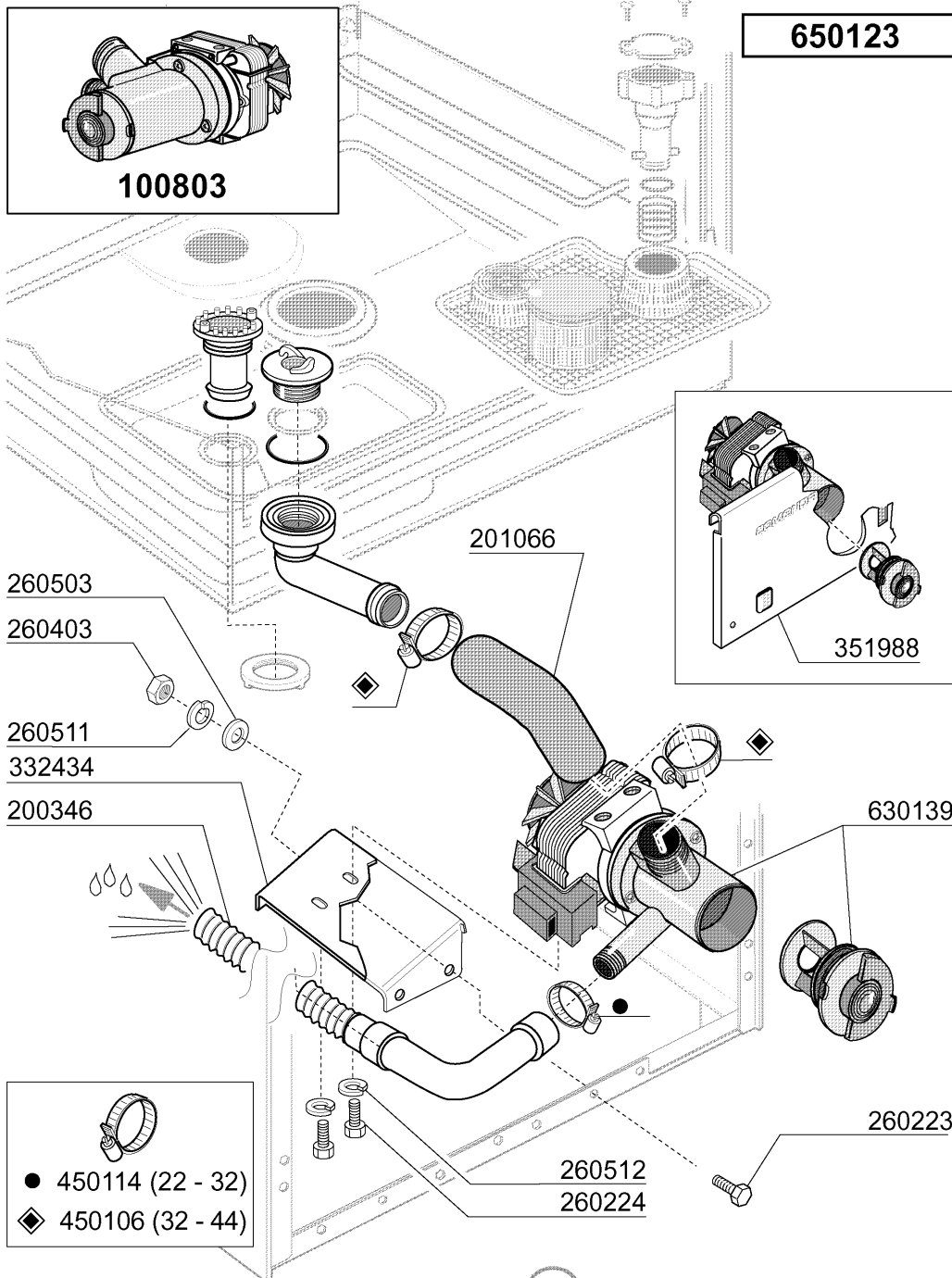


10 - 2005 S. AG.



11 - Detergent dispenser

CODE	DESCRIPTION
160105	INJECT.INLET HOSE D.6X4
180726	STREINER FOR RINSE AID INJECTO
200467	DUTRAL GASKET F. AIR TRAP
200608	DETERGENT DISPENSER HOSE
251213	INJECTIOR S/S FOR DETERGENT IN
260223	M5X12 MSH/HD SCREW SPECIAL S/S
260403	NUTS D.5
260408	S/S NUTS D.12
260503	STAINL.STEEL FLAT WASHER D5 UN
260511	GROWER WASHER D.5
440632	DETERGENT INJECTOR



10 - 2005 | S. AG.




12 - Drain pump

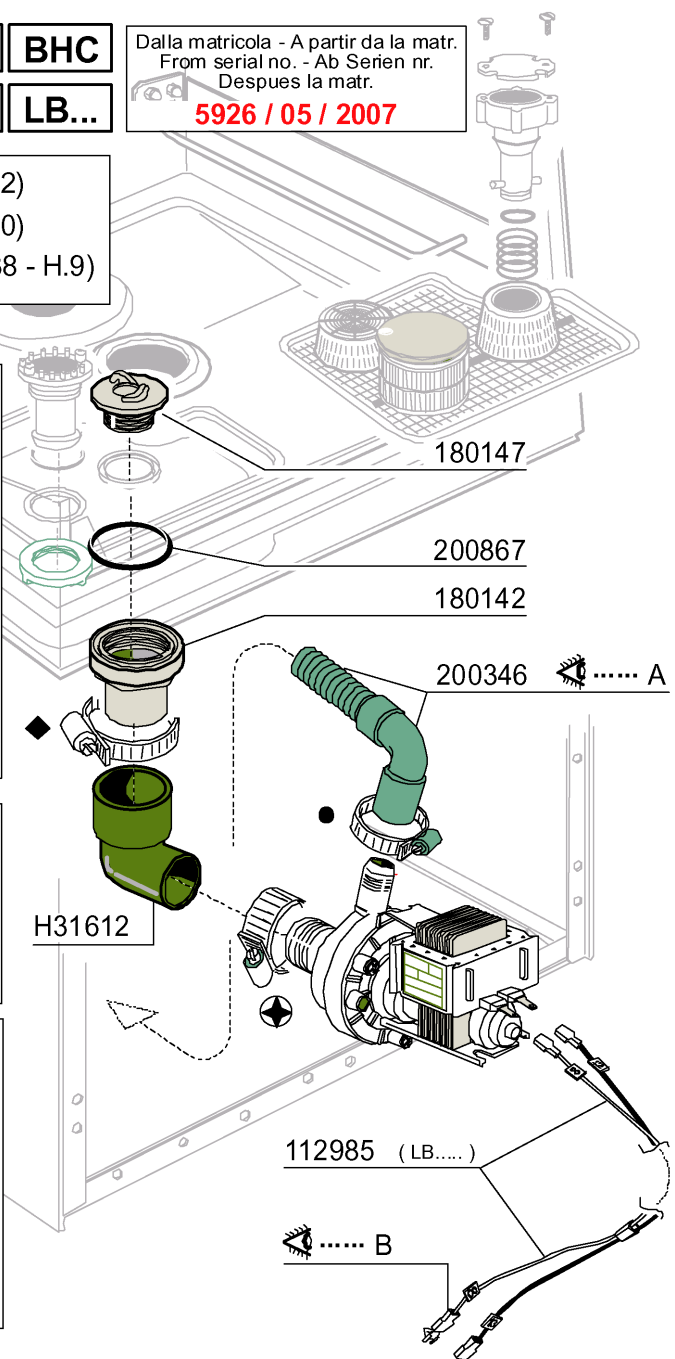
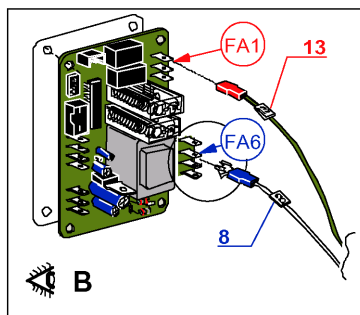
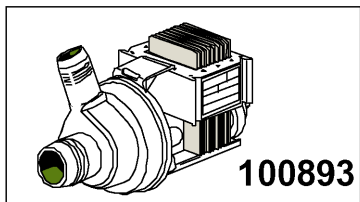
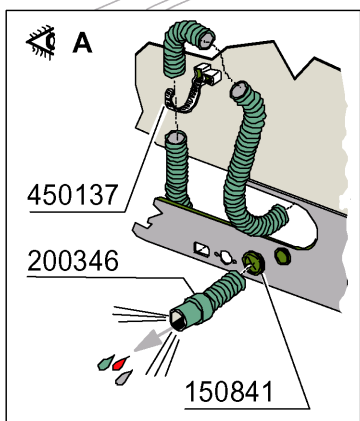
CODE	DESCRIPTION
100803	DRAIN PUMP WITH FILTER 220/50
200346	DRAIN HOSE GLASSWASHER
201066	INLET HOSE LB DRAIN PUMP
260223	M5X12 MSH/HD SCREW SPECIAL S/S
260224	TB-SCREW 6X15 B23-10-11-12
260403	NUTS D.5
260503	STAINL.STEEL FLAT WASHER D5 UN
260511	GROWER WASHER D.5
260512	ST/ST GROWER WASHER D6
332434	BRACKET
351988	FRONT PANEL
450106	CLAMP FE ZN 32-44 H=12,2
450114	CLAMP FE ZN.22-32 H=12,2
630139	DRAIN PUMP VOLUTE WITH FILTER
650123	DRAIN PUMP KIT

620994 | **BHC**

620993 + 112985 | **LB...**

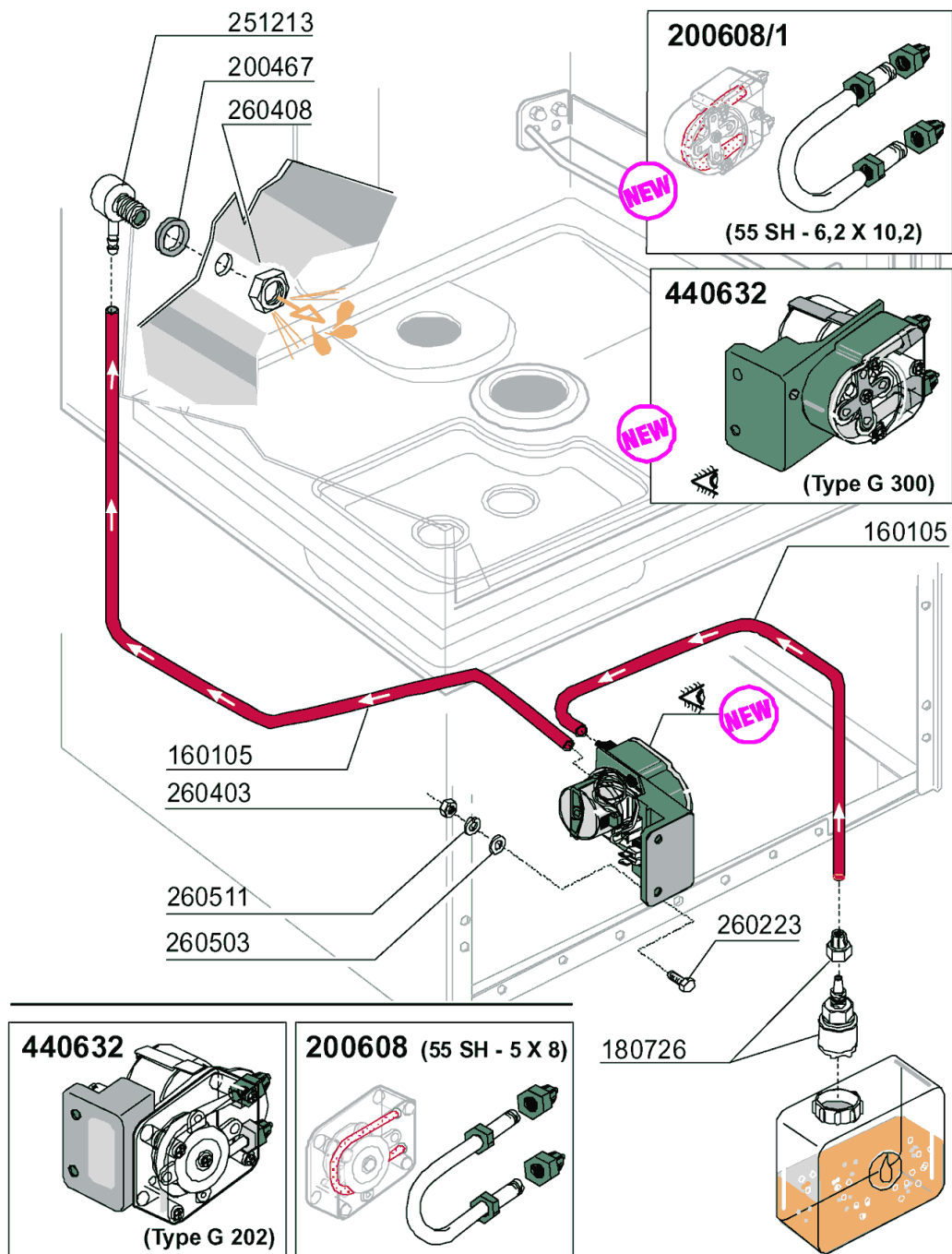
Dalla matricola - A partir da la matr.
From serial no. - Ab Serien nr.
Despues la matr.
5926 / 05 / 2007

-  ● 450114 (22 - 32)
-  ◆ 450107 (38 - 50)
-  ⊕ 450139 (26 - 38 - H.9)



13 - Drain pump

CODE	DESCRIPTION
100893	DRAIN PUMP 30W 230/50
112985	WIRING DRAIN PUMP LB
150841	CABLE HOLDER
180142	CONNECTOR FOR DRAIN PUMP
180147	NUT
200346	DRAIN HOSE GLASSWASHER
200867	GASKET
450107	CLAMP FE ZN 38-50 H=12,2
450114	CLAMP FE ZN.22-32 H=12,2
450137	COLLAR CONNECTION WITH BASE 31
450139	CLAMP 26-38 H=9
620993	DRAIN PUMP KIT LB+EF
620994	DRAIN PUMP KIT BHC
H31612	HOSE FOR DRAIN PUMP



09 - 2007 | S. AG.

14 - Detergent dispenser

CODE	DESCRIPTION
160105	INJECT.INLET HOSE D.6X4
180726	STREINER FOR RINSE AID INJECTO
200467	DUTRAL GASKET F. AIR TRAP
200608	DETERGENT DISPENSER HOSE
200608/1	HOSE FOR DISPENSER GERMAC G300
251213	INJECTIOR S/S FOR DETERGENT IN
260223	M5X12 MSH/HD SCREW SPECIAL S/S
260403	NUTS D.5
260408	S/S NUTS D.12
260503	STAINL.STEEL FLAT WASHER D5 UN
260511	GROWER WASHER D.5
440632	DETERGENT INJECTOR